

**MOTOR SPECIFICATION SHEET**

MODEL : SF-QR 3HP 6P IP44 (LT)

USED FOR : STANDARD

| DESCRIPTION                      | DETAIL   |      |      |  |
|----------------------------------|--|------|------|--|
| PHASE                            | 3  |      |      |  |
| MODEL NAME                       | SF-QR  |      |      |  |
| RATED OUTPUT, HP (kW)            | 3 (2.2)  |      |      |  |
| POLE                             | 6  |      |      |  |
| CODE                             | MEATH CODE : 1M002F-600220QRGC0                |      |      |  |
| OUTLINE DRAWING NO.              | ONM14O200-C                                    |      |      |  |
| RATED VOLTAGE (V)                | 220  | 380  | 415  |  |
| RATED FREQUENCY (Hz)             | 50   | 50   | 50   |  |
| RATED CURRENT (A)                | 9.7  | 5.6  | 5.4  |  |
| RATED SPEED (min <sup>-1</sup> ) | 940  | 940  | 950  |  |
| RATED EFFICIENCY (%)             | 77.7   | 77.7 | 79.0 |  |
| EFFICIENCY CLASS                 | IE1  |      |      |  |
| THERMAL CLASS                    | 155(F)   |      |      |  |
| RATING                           | S1 (CONTINUOUS)                                |      |      |  |
| ENCLOSURE CONSTRUCTION           | TOTALLY ENCLOSED FAN COOLED                    |      |      |  |
| DEGREES OF PROTECTION            | IP44   |      |      |  |
| METHOD OF COOLING                | IC411  |      |      |  |
| FRAME NO.                        | 112M   |      |      |  |
| WEIGHT (kg)                      | 35   |      |      |  |
| STANDARD                         | IEC 60034-1, IEC 60034-30-1                    |      |      |  |
| INSTALLATION                     | FOOT MOUNTED                                   |      |      |  |
| ROTATION                         | CCW (VIEWED FROM SHAFT END)                    |      |      |  |
| BEARING                          | LOAD SIDE : 6207ZZ                             |      |      |  |
|                                  | OPPOSITE SIDE : 6206ZZ                         |      |      |  |
| BEARING GREASE                   | UREA GREASE                                    |      |      |  |
| NOISE (dB.A)                     | 63   |      |      |  |
| VIBRATION                        | V10  |      |      |  |
| CIRCUMSTANCE<br>CONDITION        | AMBIENT TEMPERATURE : -20 ~ +40°C              |      |      |  |
|                                  | AMBIENT HUMIDITY : 95%RH OR LESS               |      |      |  |
|                                  | ABOVE SEA LEVEL : 1000m OR LESS                |      |      |  |
|                                  | ENVIRONMENT : NO BURSTING/EROSIVE GAS OR VAPOR |      |      |  |
| COLOR                            | MUNSELL N1.5 (BLACK)                           |      |      |  |
| TERMINAL BOX                     | NO. OF LEAD WIRES : 6                          |      |      |  |
|                                  | SOURCE CONNECTION : TERMINAL BLOCK             |      |      |  |
| SHAFT SWING                      | ≤0.03mm  |      |      |  |
| MATERIAL                         | FRAME : STEEL PLATE                            |      |      |  |
|                                  | BRACKET : ALUMINIUM                            |      |      |  |
|                                  | SHAFT : CARBON STEEL                           |      |      |  |
|                                  | STATOR CORE : ELECTRICAL STEEL                 |      |      |  |
|                                  | WIRE : ENAMELLED COPPER MAGNET WIRE            |      |      |  |
|                                  | ROTOR CORE : ELECTRICAL STEEL                  |      |      |  |
|                                  | CONDUCTOR : ALUMINIUM                          |      |      |  |
|                                  | TERMINAL BOX : STEEL PLATE                     |      |      |  |
|                                  | PAINTING : ALKYD-NITROCELLULOSE RESIN          |      |      |  |
| PRODUCTION COUNTRY               | THAILAND                                       |      |      |  |

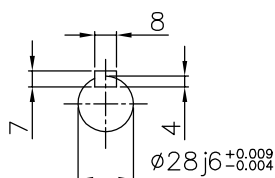
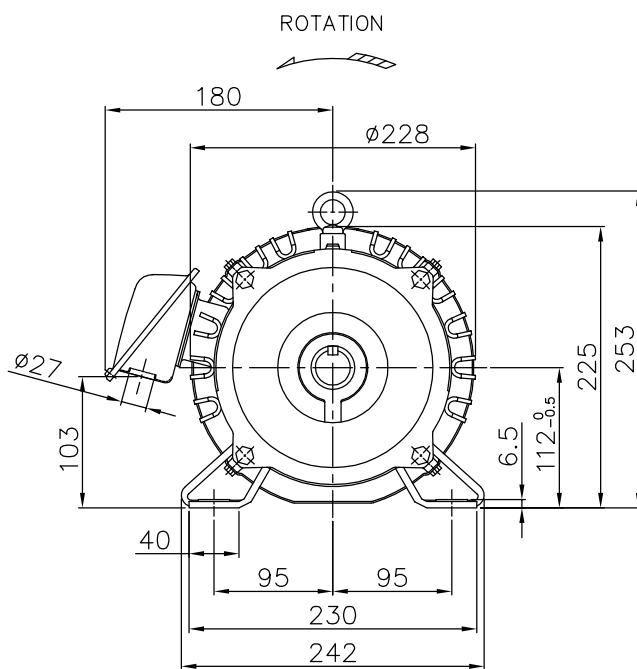
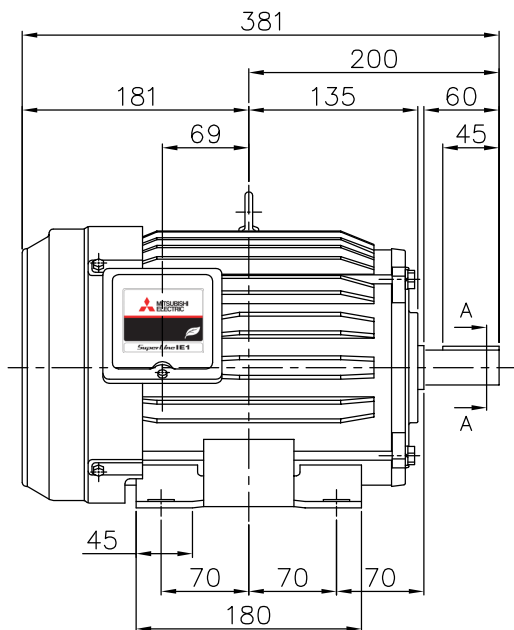
Specifications subject to change without notice.

|                                |  |  |  |  |
|--------------------------------|--|--|--|--|
| <b>SPECIFICATION SHEET NO.</b> |  |  |  |  |
| SS-N-1031-A                    |  |  |  |  |

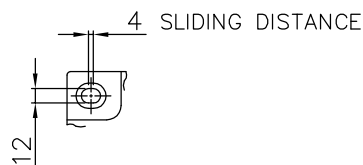
# MODEL SF-QR THREE PHASE INDUCTION MOTOR OUTLINE DRAWING

TOTALLY ENCLOSED FAN COOLED TYPE  
DEGREES OF PROTECTION IP44

CUSTOMER \_\_\_\_\_  
 USER \_\_\_\_\_  
 FOR \_\_\_\_\_  
 CUSTOMER'S ORDER NO. \_\_\_\_\_  
 QUANTITY \_\_\_\_\_  
 MFG. ORDER NO. \_\_\_\_\_



SECTION A-A



FRAME FOOT AS VIEWED FROM BELOW

| YOUR ORDER | FRAME SIZE | RATING     | TH. CLASS | AMB. TEMP. | BEARINGS  |           | COLOR                | DIRECTION OF ROTATION (VIEWED FROM SHAFT END) | NO. OF LEAD WIRES | REMARKS |
|------------|------------|------------|-----------|------------|-----------|-----------|----------------------|---|-------------------|---------|
|            |            |            |           |            | LOAD SIDE | OPP. SIDE |                      |   |                   |         |
|            | 112M       | S1 (CONT.) | 155(F)    | 40°C       | 6207ZZ    | 6206ZZ    | BLACK (MUNSELL N1.5) | CCW   | 6                 |         |

| YOUR ORDER | OUTPUT |     | POLES | VOLTS       | HERTZ | AMP.         | RPM            | IE CODE-RATED EFF.       | REMARKS |
|------------|--------|-----|-------|-------------|-------|--------------|----------------|--------------------------|---------|
|            | HP     | kW  |       |             |       |              |                |                          |         |
|            | 5      | 3.7 | 2     | 220/380/415 | 50    | 12.8/7.4/7.0 | 2890/2890/2920 | IE1<br>82.7%/82.7%/83.2% | LT      |
|            | 5      | 3.7 | 4     | 220/380/415 | 50    | 14.0/8.1/8.0 | 1430/1430/1450 | IE1<br>83.1%/83.1%/83.2% | LT      |
|            | 3      | 2.2 | 6     | 220/380/415 | 50    | 9.7/5.6/5.4  | 940/940/950    | IE1<br>77.7%/77.7%/79.0% | LT      |
|            | 5      | 3.7 | 2     | 380/415     | 50    | 7.5/7.1      | 2890/2910      | IE1<br>82.7%/83.2%       | HT      |
|            | 5      | 3.7 | 4     | 380/415     | 50    | 8.1/8.0      | 1440/1450      | IE1<br>82.7%/82.7%       | HT      |

MITSUBISHI ELECTRIC AUTOMATION (THAILAND) CO., LTD.

|                  |  |                     |      |
|------------------|--|---------------------|------|
|                  |  | OUTLINE DRAWING NO. | REV. |
| DIMENSION IN mm. |  | O N M 1 4 0 2 0 0   | C    |
| SCALE : NTS      |  |                     |      |